

# TRIMALCO

LARGE FORMAT CUTTERS

www.trimalco.com

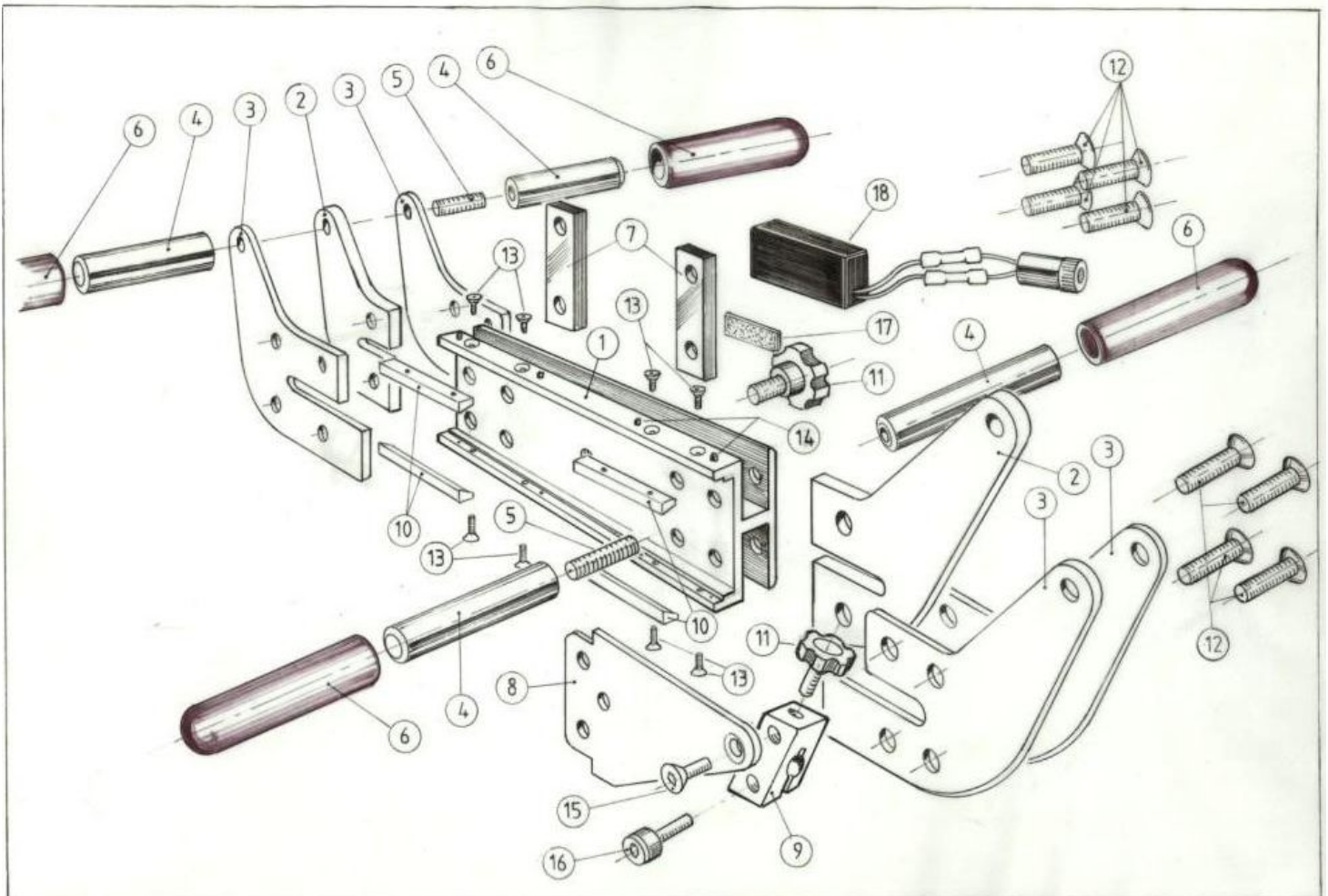
made in the UK

PARTS DIAGRAM FOR:

## APOLLO (page 1)

Models: 4040,41,42

DESCRIPTION	PART NO.	QTY.	DESCRIPTION	PART NO.	QTY.
01 CARRIAGE	4040-110	1	17 VELCRO STRIP	4040-140	1
02 HANDLE BRACKET INNER	5004-017	2	18 LASER ASSEMBLY	4090-016	1
03 HANDLE BRACKET OUTER	5004-013	4	NOT SHOWN		
04 HANDLEBAR	4040-120	4	LASER PIVOT ROD	4040-132	1
05 H'BAR JOINING PEICE	4040-122	2	EYEBOLT	5104-021	1
06 HANDLEPAR GRIP	5190-005	4	M6 LOCK NUT	5104-033	1
07 T'HOLDER BEARING BLOCK	4040-125	2			
08 LASER FIXTURE	5004-002	1			
09 LASER MOUNTING BLOCK	4040-131	1			
10 LINEAR BEARINGS	4040-109	4			
11 PLASTIC KNOB	4190-006	2			
12 M6 CSK SOCKET SCREW	5104-004	8			
13 M3 CSK SOCKET SCREW	5104-006	8			
14 DRI-LOK SCREW	4040-130	4			
15 M6 CSK SOCKET SCREW	5104-015	1			
16 M6 SOCKET CAP SCREW	5104-015	1			



# TRIMALCO

LARGE FORMAT CUTTERS

www.trimalco.com

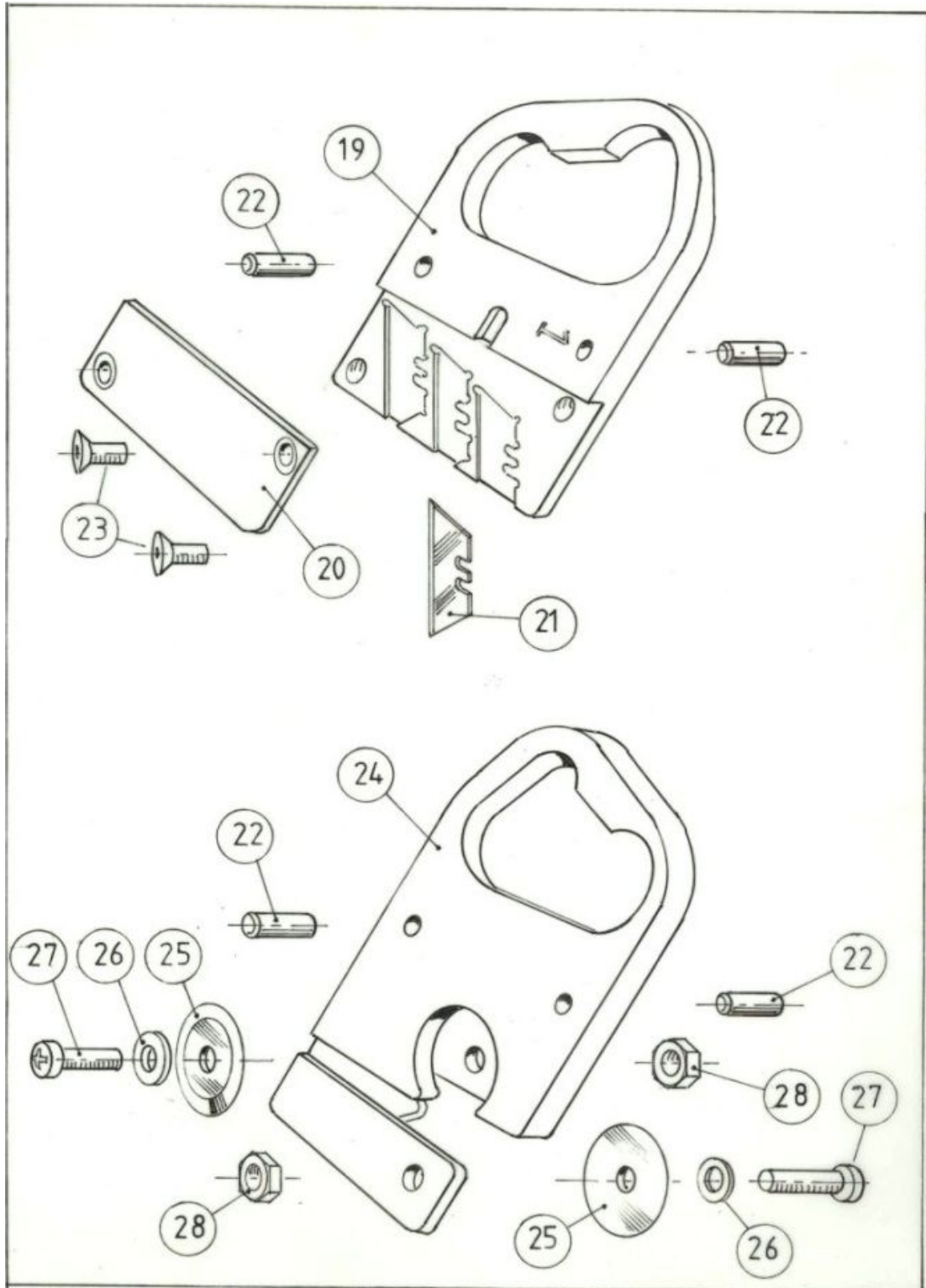
made in the UK

PARTS DIAGRAM FOR:

## APOLLO (page 2)

Models: 4040,41,42

DESCRIPTION	PART NO.	QTY.	DESCRIPTION	PART NO.	QTY.
19 TOOLHOLDER #1	4160-100	1	24 TOOLHOLDER #2	4161-100	1
20 CLAMP PLATE	4160-101	1	25 WHEEL	5105-005	2
21 UTILITY BLADE (X 100)	5105-001	1	26 BEARING	5108-008	2
22 DOWEL PIN	5104-087	2	27 SCREW	5104-026	2
23 M6 X 10 CSK SKT SET	5104-015	2	28 LOCK NUT	5104-023	2



# TRIMALCO

LARGE FORMAT CUTTERS

www.trimalco.com

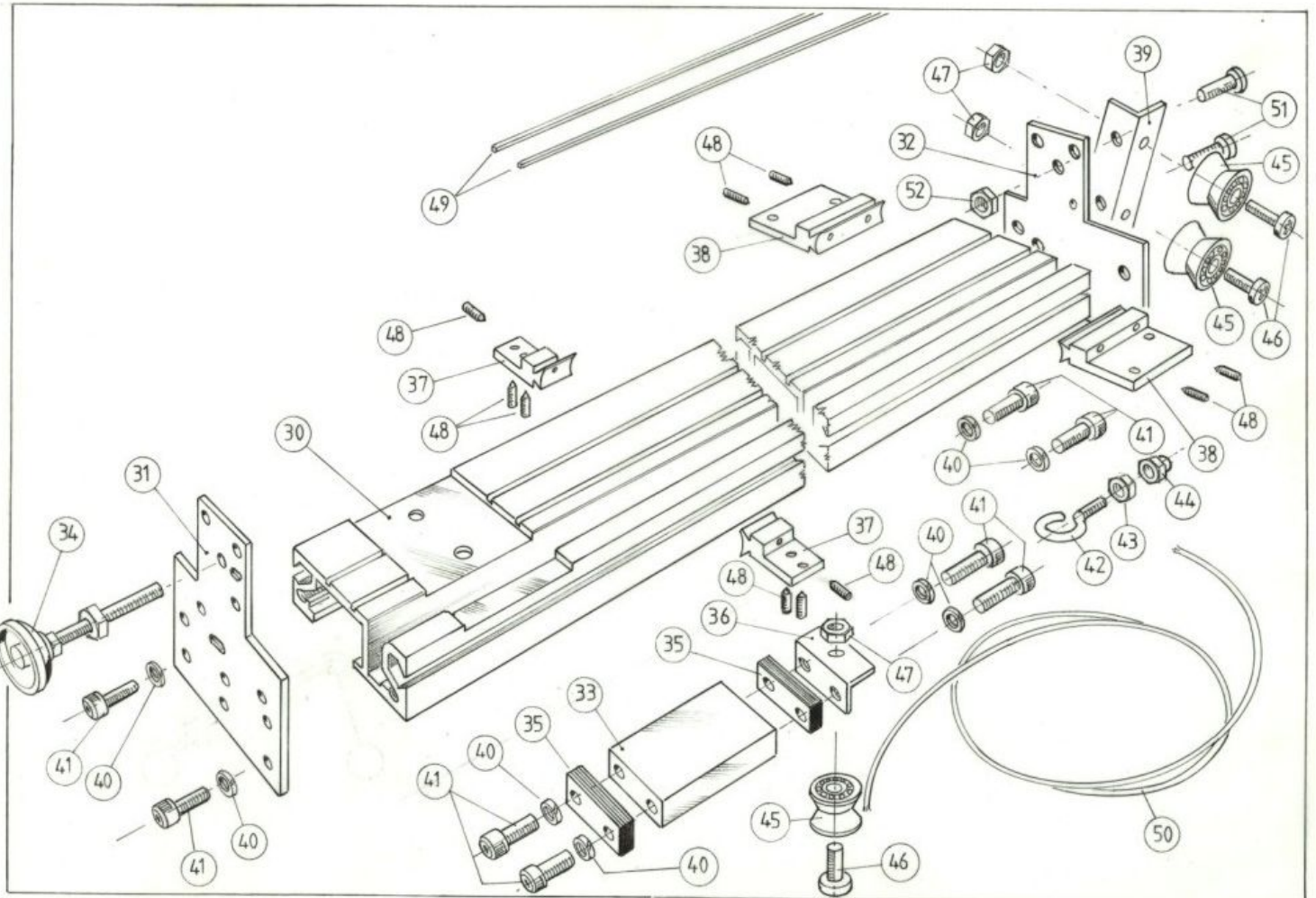
made in the UK

PARTS DIAGRAM FOR:

## APOLLO (page 3)

Models: 4040,41,42

DESCRIPTION	PART NO.	QTY.	DESCRIPTION	PART NO.	QTY.
30 SPINE	4040-100	1	46 M6 X 35 SKT BUTTON	5104-086	3
31 END PLATE	5004-014	1	47 M6 HALF NYLOC	5104-072	3
32 END PLATE	5004-014	1	48 M8 X 20 SKT SET CONE PT	5104-064	12
33 COUNTER BAL. WEIGHT	4040-135	1	48 M8 X 16 SKT SET CONE PT	5104-068	16
34 LEVELING FOOT	5190-012	1	49 SILICONE CORD	5101-001	2
34 THREADED ROD	5190-013	1	50 NYLON CORD	5190-014	1
34 M10 NUT	5104-003	1	51 M6 X 20 SKT BUTTON	5104-008	2
35 COUNTER BAL. BEARING	4040-134	2	52 M6 NYLOC	5104-055	2
36 PULLEY BRACKET	4040-109	1			
37 JOINING BRACKET	4091-103	8			
38 LEG TO SPINE BKT LH	4040-128	1			
38 LEG TO SPINE BKT RH	4040-129	1			
39 PULLEY BRACKET	4040-109	1			
40 M8 SPRING WASHER	5104-076	4			
41 M8 SKT CAP SCREW	5104-075	4			
42 EYE BOLT	5104-021	1			
43 M6 LOCK NUT	5104-033	1			
44 M6 DOMED NYLOC	5104-073	1			
45 PULLEY	5108-010	3			





# TRIMALCO

## LARGE FORMAT CUTTERS

www.trimalco.com

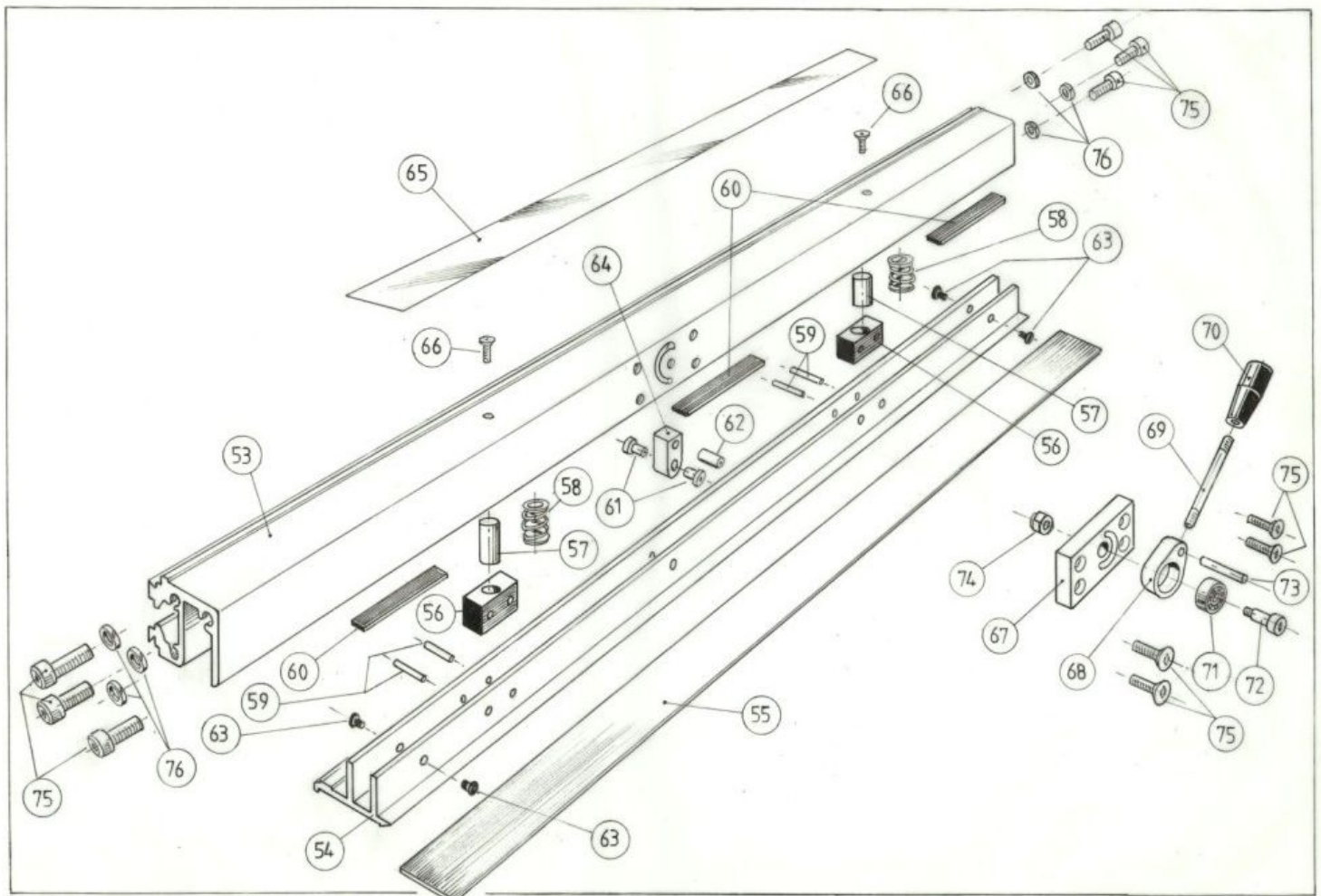
made in the UK

PARTS DIAGRAM FOR:

# APOLLO (page 4)

Models: 4040,41,42

DESCRIPTION	PART NO.	QTY.	DESCRIPTION	PART NO.	QTY.
53 SLIDEWAY	4040-101	1	72 SHOULDER BOLT	5104-083	1
54 CLAMP	4040-105	1	73 DOWEL PIN	5104-082	1
55 RUBBER STRIP	5090-001	1	74 M6 NYLOC	5104-055	1
56 CLAMP BEARING BLOCK	4040-138	2	75 M8 X 20 CSK SKT SET	5104-088	4
57 CLAMP LOCATING PEGS	4040-114	2	75 M8 X 40 SKT CAP SCREW	5104-078	6
58 COMPRESSION SPRING	5107-004	2	76 M8 SPRING WASHER	5104-076	6
59 DOWEL PIN	5104-081	5			
60 RUBBER STRIP	5090-002	3	NOT SHOWN		
61 FLANGED BUSH	5108-006	2	ROLLER & WASHER SET	5108-009	1
62 PLAIN BUSH	5108-005	1			
63 COVER PLUG	5190-003	4			
64 CLAMP LINK	4040-117	1			
65 VERTICAL LABEL	5009-004	1			
66 M8 X 20 CSK SKT SET	5104-088	2			
67 MOUNTING PLATE	4040-118	1			
68 HANDLE HUB	4040-119	1			
69 HANDLE SHAFT	4040-127	1			
70 HANDLE	5190-004	1			
71 BEARING	5108-007	1			



# TRIMALCO

## LARGE FORMAT CUTTERS

www.trimalco.com

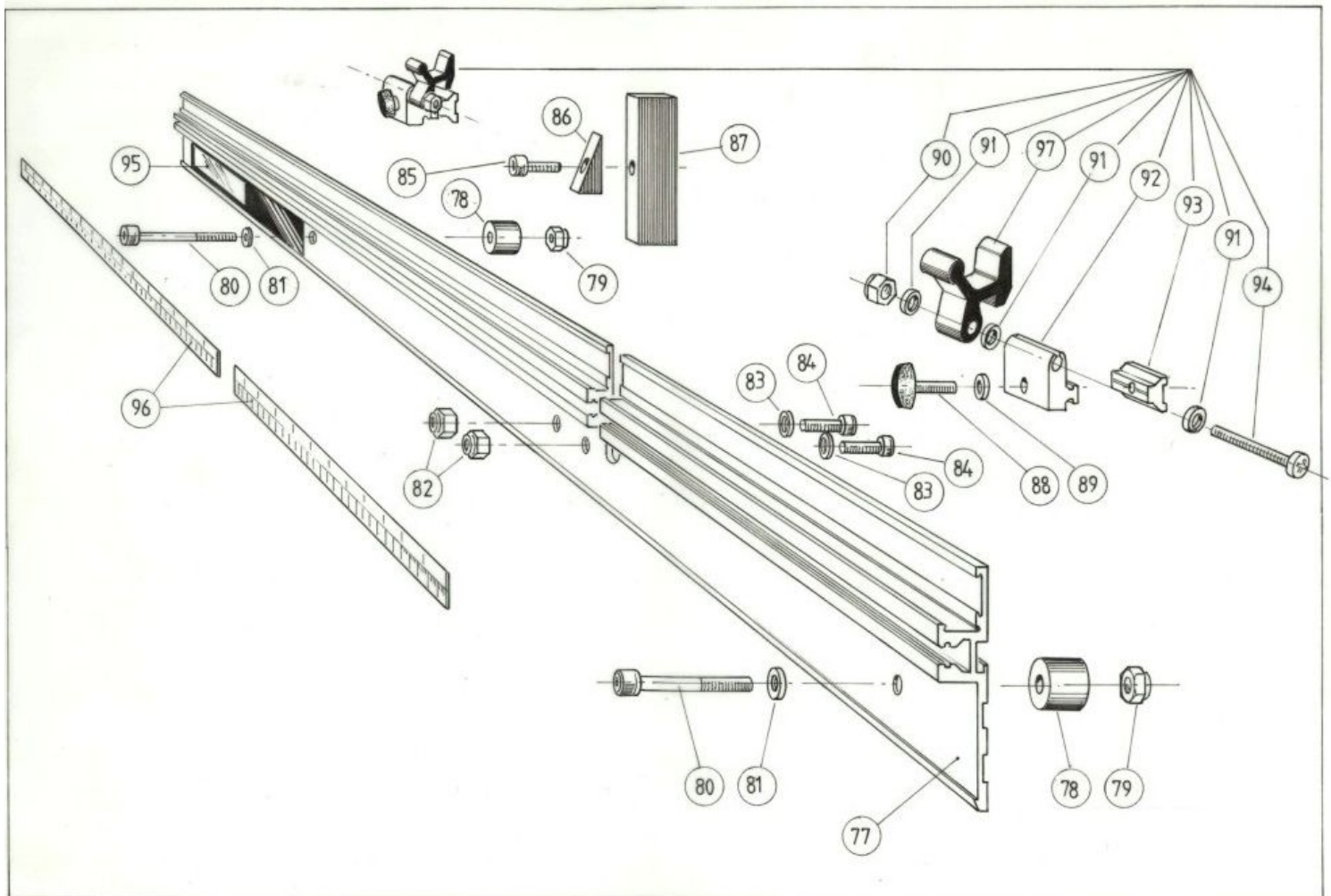
made in the UK

PARTS DIAGRAM FOR:

# APOLLO (page 5)

Models: 4040,41,42

DESCRIPTION	PART NO.	QTY.	DESCRIPTION	PART NO.	QTY.
77 SQUARING ARM	4040-113	1	95 HORIZONTAL LABEL PT 2	5009-015	1
78 NYLON SPACER	4040-115	2	96 SCALE SET	5009-011	1
79 M8 HALF NYLOC	5104-053	2	97 FLIP STOP	4040-107	2
80 M8 X 70 SKT CAP SCREW	5104-079	2			
81 M8 WASHER	5104-020	2			
82 M10 NYLOC	5104-019	2			
83 M10 WASHER	5104-017	2			
84 M10 X 25 SKT CAP SCREW	5104-018	2			
85 M6 X 15 SKT CAP SCREW	5104-016	1			
86 T'HOLDER STOP (FRONT)	4040-136	1			
87 T'HOLDER STOP (REAR)	4040-137	1			
88 WING KNOB	5190-002	2			
89 PLASTIC WASHER	5104-031	2			
90 M6 HEX LOCK NUT	5104-033	2			
91 PLASTIC WASHER	5104-031	6			
92 FLIP STOP BODY	4040-106	2			
93 GROOVE BLOCK	4040-108	2			
94 PAN HEAD SCREW	5104-030	2			
95 HORIZONTAL LABEL PT 1	5009-014	1			



# TRIMALCO

## LARGE FORMAT CUTTERS

www.trimalco.com

made in the UK

PARTS DIAGRAM FOR:

# APOLLO (page 6)

Models: 4040,41,42

DESCRIPTION	PART NO.	QTY.	DESCRIPTION	PART NO.	QTY.
97 MATERIAL SUPPORT	4040-112	8	SHOWN BUT NOT NUMBERED		
98 CLAMP PLATE	4040-111	8	LEG	4040-101	2
99 M8 X 45 SKT CAP SCREW	5104-080	8	NOT SHOWN		
100 M8 SPRING WASHER	5104-076	8	MAT. SUPPORT END CAP	5003-015	8
101 LEG END CAP	5102-010	4	M8 WASHER	5104-020	4
102 ADJUSTABLE FOOT	5190-010	1	M8 HALF NYLOC	5104-053	4
103 M8 NUT	5104-074	1	M8 X 45 SKT CAP SCREW	5104-080	4
104 SQ ADJUSTER BLOCK	4040-133	1			
105 M6 X 60 CSK SET SCREW	5104-014	2			
106 M6 NYLOC	5104-055	2			

